

SNMP / WEB MANAGER

CS121 External & Slot Cards, CS121 BUDGET

● Ethernet-Adapter for the control and the management of UPS Facilities



Features

● High-tech made in Germany

The most powerful and flexible UPS management card worldwide! 32-Bit RISC-Processors, 10/100Mbit auto-sensing Ethernet, 3 serial RS-232 Interfaces (not BUDGET version), AUX port for 4 dry-contact external alarms output/input, (optional) MODBUS RS 485 interface, interface for BACS.

● Grafical and non-grafical interfaces

Several options are available for monitoring and configuring the CS121: Windows UPSMON, JAVAMON, UNMS II, every type of SNMP network management station, internet browsers and non-grafical user interfaces: TELNET, FTP. Additionally supported is the GENEREX API. The statistical analysis is grafically shown through the GCHART plug-in for the Microsoft Internet Explorer. Those statistics show the values of the UPS and all connected external devices like temperature-, humidity sensors, etc.

● Universal suitable for every type of UPS devices

Supports more than 1400 UPS types from 100 UPS manufacturers. The incorporation of RS-232 protocol and support of dry contacts makes the monitoring of any device possible.

● Data logging

Measurement values and alarms are written with time stamps into the non-volatile storage of the CS121 adapter. The time synchronisation function insures that all protocols are written with precise time values.

● Grafical operation and statistics

The CS121 WEB-Server provides a simple to use overview for a broad range of functionality within its monitoring and configuration capabilities. The CS121 adapter also has the highest performing grafical analysis tool in its class for dynamic data evaluation-GCHART.

● Email/SMS

Integrated email client via SMTP can be configured to relay either all or UPS messages. The email client can also make the use of network messaging options for distributing information or use network internal email facilities. Compatible with SMTP email systems such as MS Exchange, Lotus, and many others.

● Email Trap for UNMS Remote Monitoring

Every CS121 can send its data packages via *Email Trap* to the UNMS II Software with TELESERVICE module. Thereby you can arrange a remote monitoring via email. All measuring values and graphics are visible on the UNMS II at anytime.

● Multiserver Shutdown

Unlimited shutdown manager for RCCMD clients – for more than 40 different operating systems. This makes it possible for a CS121 adapter to inform and shutdown any type of computer in a given network which can then be used to centralize the administration of large networks while greatly reducing both the amount of organisational work and the amount of consumed network time for communications. Different options are available for conducting shutdowns and system start ups:

Cold boot (computers are directly cut-off from or connected to the power supply. This option may require a SITESWITCH.

Warm boot (using RCCMD operating systems are prompted to shutdown or restart).

Wake On LAN (using data packages other computers in a local network are prompted to start-up).

● Network Services

UPSMAN compatible software for the alarm management. Supports SNMP, HTTP, Telnet, ARP, TCP, UDP, DNS, SMTP, NTP, FTP, UPSTCP (UPSMON, UNMS), PPP, MODBUS over IP, MODBUS/PROFIBUS over RS232/485 (PRO models only, extra hardware needed) and RCCMD/RCCMD2 (Multiserver/Multi-OS shutdown/messaging tool).

● MODEM

Support for analogue and GSM Modems for the remote monitoring and administration of UPS and other connected GENEREX devices. The function makes administration of the UPS system possible without compromising the security of the network it is servicing.

● Scheduler

Web server based scheduler allows scheduled on/off of the UPS output or SITESWITCH receptables or to start battery tests. This secures that the UPS runs regularly battery tests and informs the user about problems via email, log file etc.

Properties

● SNMP / HP Openview

Including free Snap-In for HP Openview for Windows. The CS121 supports the RFC1628 MIB (Standard UPS MIB) and MIB extensions for use with the SITEMANAGER, SITESWITCH 4, and SENSORMANAGER. This enables the CS121 adapter to make all of its gathered information from other devices available via SNMP and this has been tested with Sun Netmanager, IBM Netview, Tivoli, Unicenter, Cabletron Spectrum, Managewise, and Castlerock and many other SNMP based network-management systems. Additionally Ipswitch WHATS UP 6 and HP/COMPAQ Insightmanager are supported.

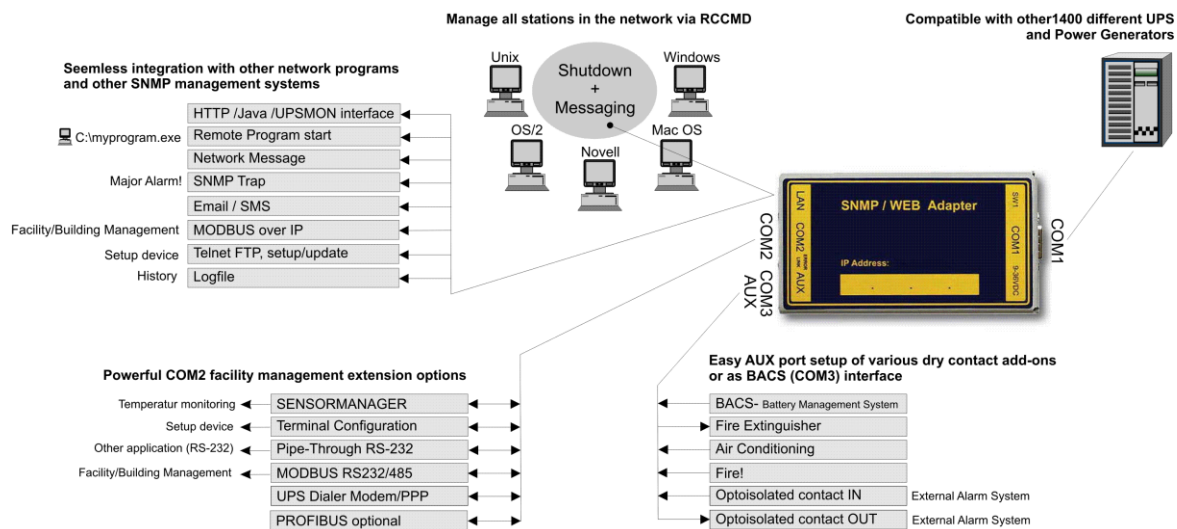
● BACS Battery Management System

The CS121 based BACS WEBMANAGER is the ultimate version of the CS121 range and adds a battery management functionality to your system. A possible failure of your UPS batteries is now under your control.

● MODBUS

All of the CS121 adapters are equipped with MODBUS-over-IP, which enables the CS121 to incorporate PLC devices (SPS) like those from Schneider Group. The CS121 devices with a COM2 port possess MODBUS over RS232 additionally. The CS121 devices LM or SCM provide MODBUS over RS485.

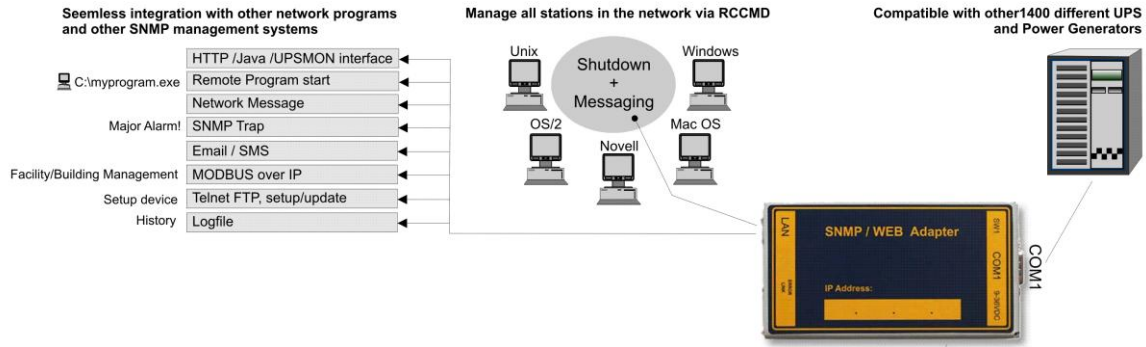
Function Overview of the CS121 Professional



Technical Data of the CS121 Professional

	CS121 Professional External (all UPS vendors)	CS121 Slot Professional (all UPS vendors with SC slot format)
Power supply	12V (min. 9V, max. 30V DC), 120 mA	12V (min. 9V, max. 30V DC), 120 mA
Size, weight	69 x 126 x 35mm, 210 g	60 x 120 x 29mm, 66 g
Ethernet	10/ 100Mbit Base-T auto sense	10/ 100Mbit Base-T auto sense
RS-232 interface	3	3
RS-485 interface	Optional	Optional
MODBUS over IP	Standard	Standard
Status LED's	Normal green, boot/error red	Normal green, boot/error red
User manual	German, english	German, english
MIB	RFC 1628 and private extension	RFC 1628 and private extension
Operating temperature/	0 – 50 °C	0 – 60 °C
Humidity	10-80%, not condensated	10-80%, not condensated
Certifications	CE, UL/ETL	CE, UL/ETL
MTBF (calculated)	70.000 hours (8 years)	70.000 hours (8 years)
Warranty	2 years	

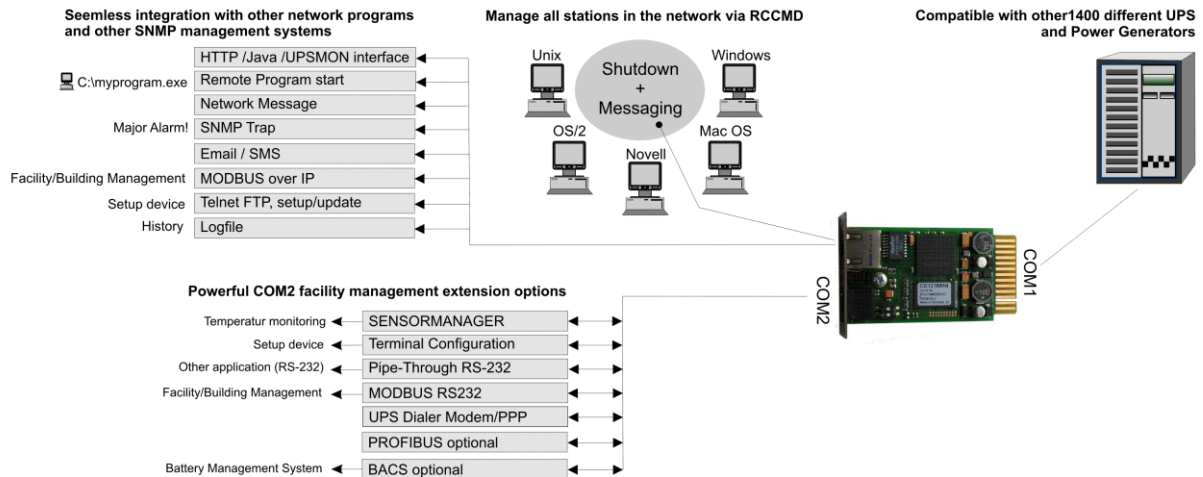
Function Overview of the CS121 BUDGET



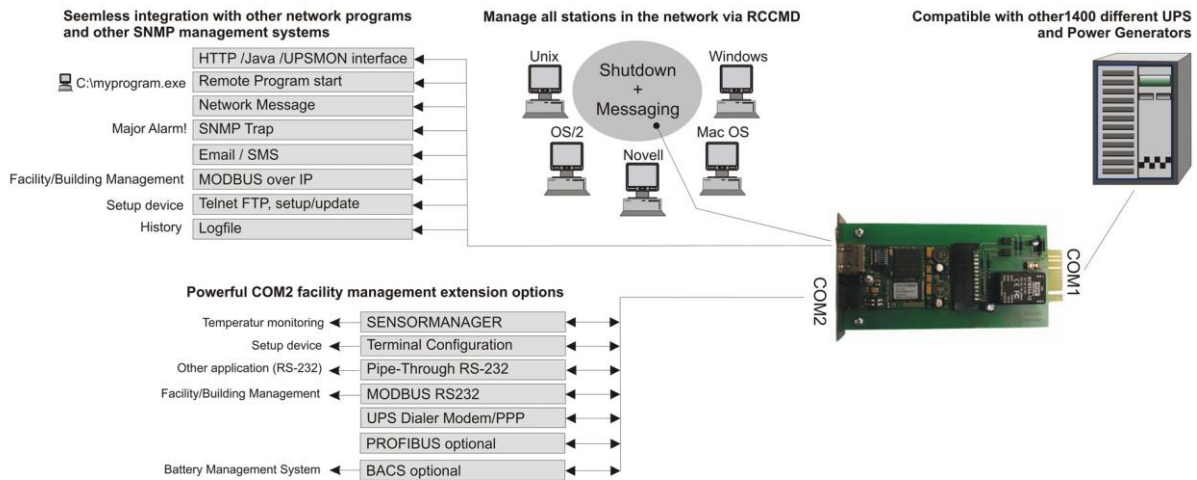
Technical Data of the CS121 BUDGET and MINI

	CS121 BUDGET External (All UPS vendors)	CS121 BUDGET Slot (all UPS vendors with SC slot format)	CS121 MINI Slot (all UPS vendors with Mini slot format)
Power supply	12V (min. 9V, max. 30V DC), 120 mA	12V (min. 9V, max. 30V DC), 120 mA	12V (min. 9V, max. 30V DC), 120 mA
Size, weight	69 x 126 x 35 mm, 210 g	60 x 120 x 29mm, 66 g	42 x 80 x 26mm, 36 g
Ethernet	10/ 100Mbit Base-T auto sense	10/ 100Mbit Base-T auto sense	10/ 100Mbit Base-T auto sense
RS-232 interface	1	1	2
MODBUS over IP	Optional	Optional	Optional
Status LED's	Normal green, boot/error red	Normal green, boot/error red	Normal green, boot/error red
User manual	German, english	German, english	German, english
MIB	RFC 1628 and private extension	RFC 1628 and private extension	RFC 1628 and private extension
Operating temperature/ Humidity	0 – 50 °C 10-80%, not condensated	0 – 60 °C 10-80%, not condensated	0 – 60 °C 10-80%, not condensated
Certifications	CE, UL/ETL	CE, UL/ETL	CE, UL/ETL
MTBF (calculated)	70.000 hours (8 years)	70.000 hours (8 years)	70.000 hours (8 years)
Warranty	2 years	2 years	2 years

Function Overview of the CS121 MINI



Function Overview of the CS121 R II



Technical Data of the CS121 R_II

CS121 R_II (all UPS vendors with RIELLO/AROS Netman slot format)

Power supply	12V (min. 9V, max. 18V DC), 120 mA
Size, weight	75 x 145x 32mm, 92g
Ethernet	10/100Mbit Base-T auto sense
RS-232 interface	2
MODBUS over IP	Optional
Status LED's	Normal green, boot/error red
User manual	German, english
MIB	RFC 1628 and private extension
Operating temperature	0 – 60°C
Humidity	10-80%, not condensated
Certifications	CE, UL/ETL
MTBF (calculated)	70.000 hours (8 years)
Warranty	2 years

